

# MEASUREMENT OF EXISTING MAINSAIL

(Correct measuring needs to be made, when sail is tight at all edges together. We recommended send sail to sailmaker. That's will help avoid the mistakes.)

Name		Data	
Phone		Email	
Boat			
Panels		Material	

**LUFF**  
 dimension: \_\_\_\_\_  
 roundness: \_\_\_\_\_

**Sliders** type: \_\_\_\_\_  
 first slider: \_\_\_\_\_

**Boltrope** diameter: \_\_\_\_\_

**Cut back:**  
 1: \_\_\_\_\_ 2: \_\_\_\_\_ 3: \_\_\_\_\_ 4: \_\_\_\_\_

**FOOT**  
 dimension: \_\_\_\_\_  
 roundness: \_\_\_\_\_  
 fitting type: \_\_\_\_\_ free foot

**LEECH** (distance between front of headboard to clew corner, in a straight line)  
 dimension: \_\_\_\_\_  
 trimline: yes  no   
 cleat type: \_\_\_\_\_

**battens**

length:	full:	roach:
1: _____	yes <input type="checkbox"/>	_____
2: _____	yes <input type="checkbox"/>	_____
3: _____	yes <input type="checkbox"/>	_____
4: _____	yes <input type="checkbox"/>	_____
5: _____	yes <input type="checkbox"/>	_____

batten cars: \_\_\_\_\_

**HEAD** width: \_\_\_\_\_  
 headboard: aluminium soft

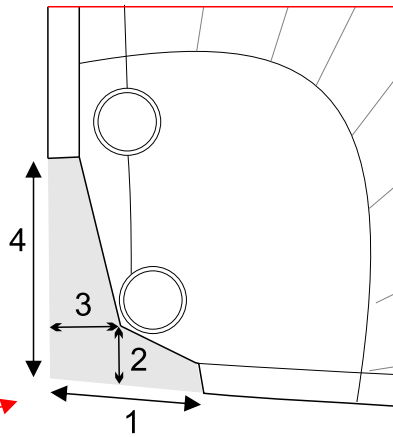
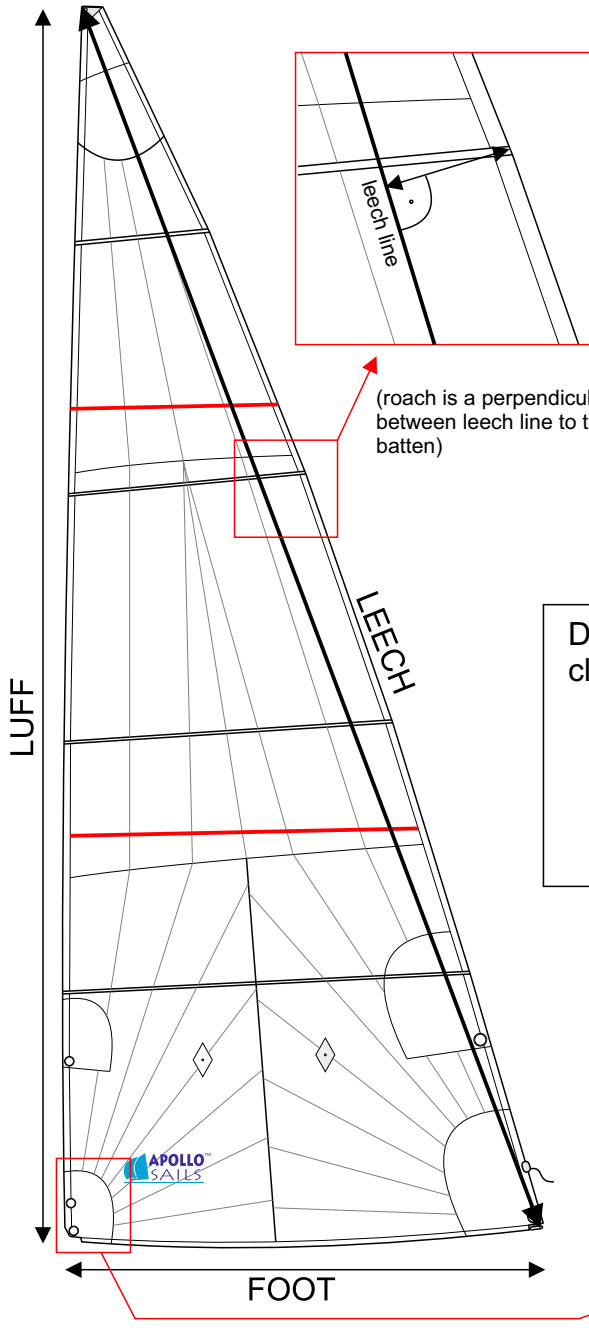
Draft stripes: \_\_\_\_\_ color: \_\_\_\_\_  
 class sign: \_\_\_\_\_ sail numbers: \_\_\_\_\_

<b>Clew</b>	<b>Tack</b>
<input type="checkbox"/> pressed ring	<input type="checkbox"/> pressed ring
<input type="checkbox"/> steel ring	<input type="checkbox"/> steel ring
other: _____	other: _____

**REEFS**  
 (height)

1: \_\_\_\_\_  
 2: \_\_\_\_\_  
 3: \_\_\_\_\_

Dog bones  
 Fast reef system (blocks)



**NOTES**