

# FURLING GENOA

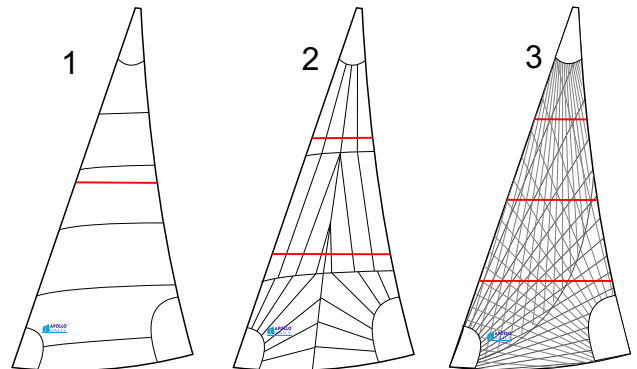
Complete informations on this form will enable us to design the best professional sail for Your boat.  
 If You have old sail, You can send it to us, or complete the measurement form of existing jib, You can find it on our website. If it's possible send us IRC or ORC certificate.  
 If any dimension is unclear to You, see the technical drawing included to the form.

Name, Surname:	Boat model:	Phone, eMail:
----------------	-------------	---------------

Type of sail:  
 Inshore genoa 110%  
 Offshore genoa 130%  
 Racing genoa 150%

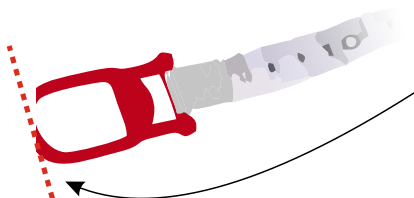
- 1 (cross cut)
- 2 (radial cut)
- 3 (membran sail)

Optional - preferred material:

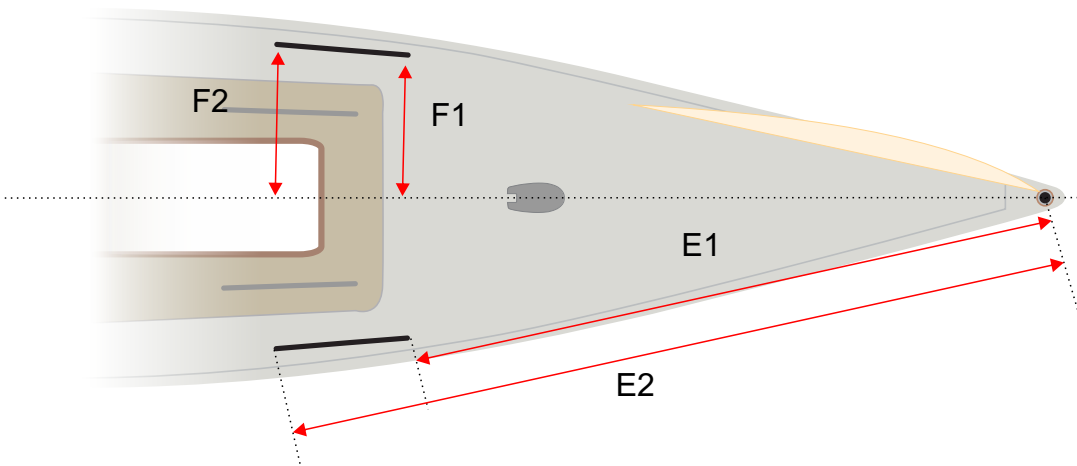
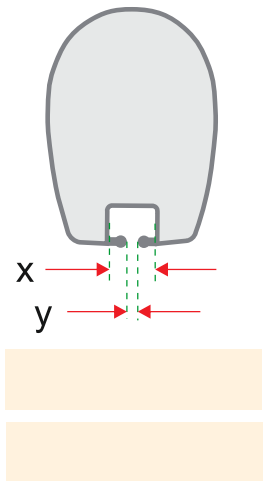
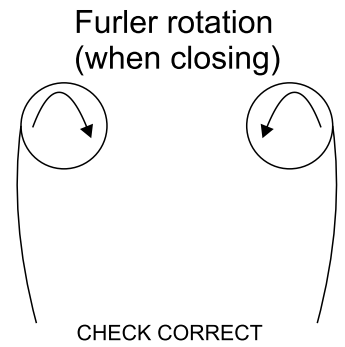
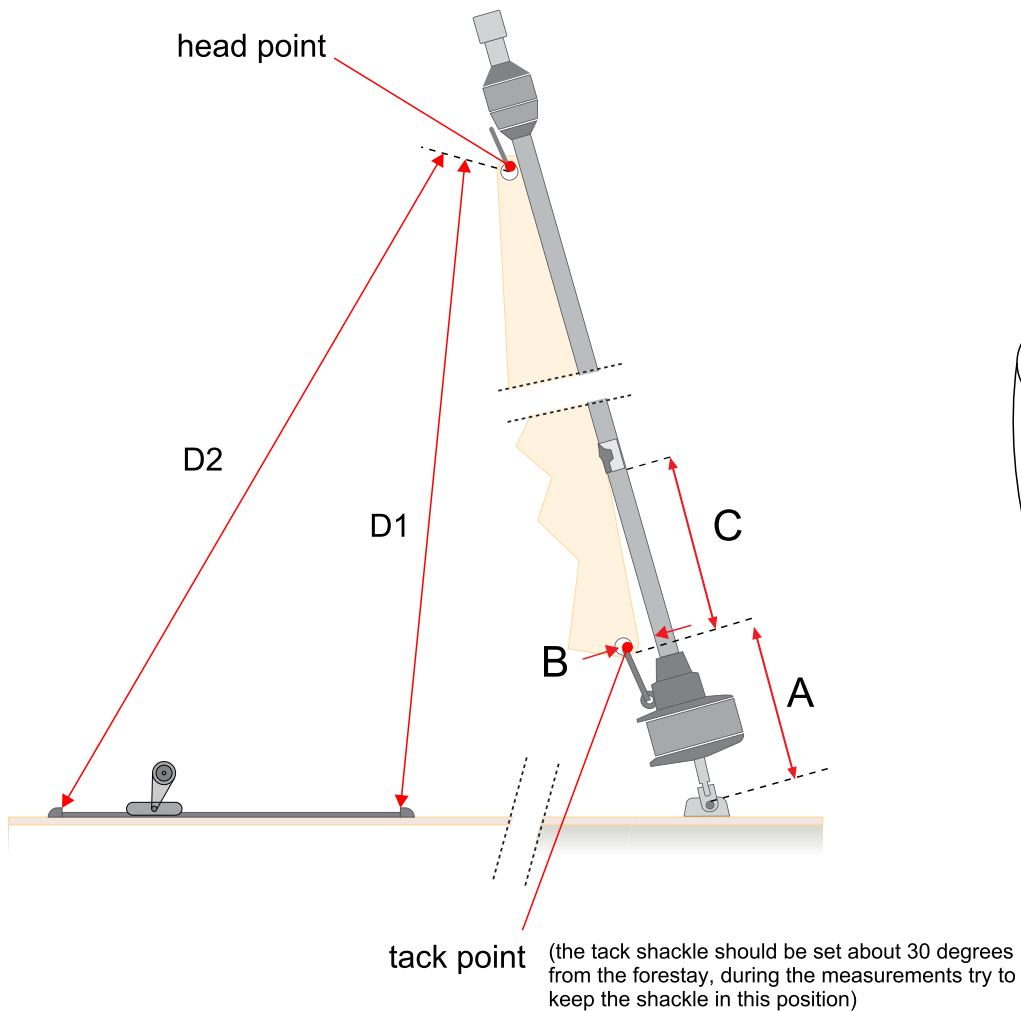


dimension „I”	Height of foretriangle. Measured from deck level (not mast step) along the forward edge of the mast to the intersection of the forestay and mast.	
dimension „J”	Base of the foretriangle. Measured from the front of the mast horizontally to the intersection of the forestay and deck.	
Maximum luff	Maximum distance between tack shackle (tack point) to the swivel shackle (head point). Fix the measurer edge to the jib halyard and hoist it maximum to the top.	
A	Height of the furling drum, from forestay attachment point to tack shackle (tack point)	
B	Cut back - distance between tack shackle and furler profile (the tack shackle should be set about 30 degrees from the forestay)	
C	Distance between tack shackle (tack point) to luff groove	
Producer and model of furling system		

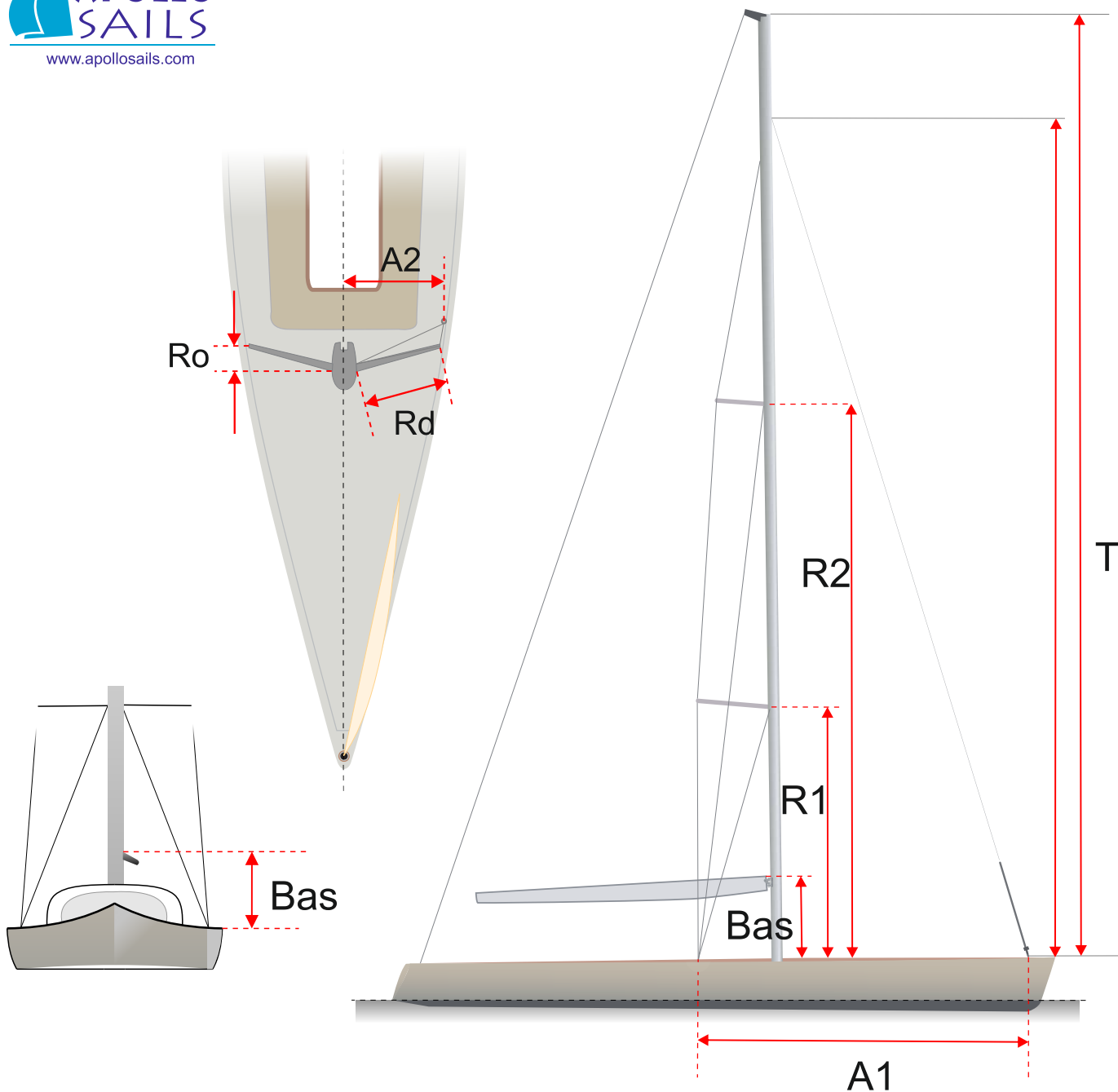
UV cover	no	yes	The color of the UV cover should be determined from the sampler, which You can find on our website (optional).		
Window	Luff foam				
Draft stripes	blue	red	black	grey	white



Dimensions has to be reported from the „0”. Use measurer with point zero on the outside edge.



Dimension from head point (with halyard hoisted maximum to the top) to front (D1) and end (D2) edge of clew traveler	D1	D2
Dimension from forestay attachment point to front (E1) and end (E2) edge of clew traveler	E1	E2
Dimension from boat centerline to front (F1) and end (F2) edge of clew traveler	F1	F2
Clew traveler on the deck                      on the roof of the cabin	If the clew travelers are on the roof of the cabin, how much higher than deck	



Rig type	masthead	fractional	
A1 (Distance between shroud attachment point and forestay attachment point)			
A2 (Distance between boat centerline to shroud attachment point)			
Bas (Distance between top edge of boom to deck - not mast step)			

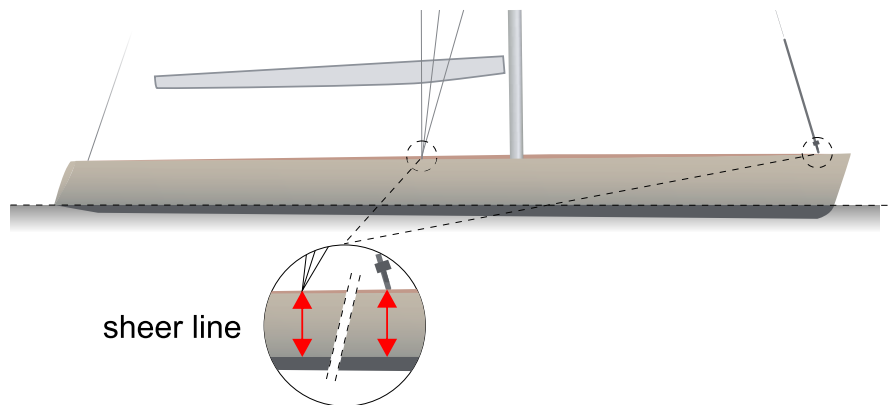
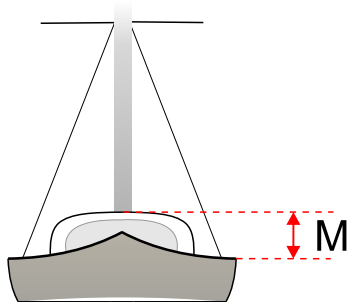
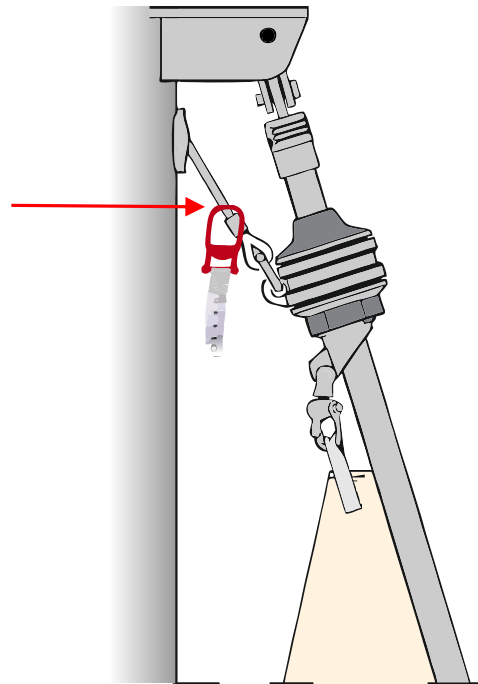
Spreaders (from bottom)	Spreader 1 (R1)	Spreader 2 (R2)	Spreader 3 (R3)
height			
length (Rd)			
rake (Ro)			

Dimension "I" (first page of the measurement form) is very important. This is the basic dimension of the „foretriangle“, determined by the "I", "J" and the total length of the forestay. Thanks to these dimensions, we know exactly what sail we can do for Your yacht.

To measure the "I" dimension fix the measurer over the halyard swivel. Then hoist halyard maximum to the top.

If you have the option, you can use the spinnaker halyard for this. Fix the measurer to the spinnaker halyard, then hoist to the height where forestay is touching the mast.

Remember !  
The "I" dimension should be measured accurately as possible. Hoist the measurer up with assurance rope. That solution will allow You to easily pull the halyard down (the measuring tape can be easily destroyed).



<p>The yacht deck is not perfectly straight. Provide the difference between forestay attachment point and the shrouds attachment point to the water line. This dimension is called the <b>sheer line</b></p>	
<p>M dimension is difference between mast step and deck</p>	

Notes (add Your special needings for Your sail):