

MEASUREMENT OF EXISTING MAINSAIL

(Correct measuring needs to be made, when sail is tight at all edges together. We recommended send sail to sailmaker. That's will help avoid the mistakes.)

Name		Data	
Phone		Email	
Boat			
Panels		Material	

LUFF
 dimension: _____
 roundness: _____

Sliders type: _____
 first slider: _____

Boltrope diameter: _____

Cut back:
 1: _____ 2: _____ 3: _____ 4: _____

FOOT
 dimension: _____
 roundness: _____
 fitting type: _____ free foot

LEECH (distance between front of headboard to clew corner, in a straight line)
 dimension: _____
 trimline: yes no
 cleat type: _____

battens

length:	full:	roach:
1: _____	yes	_____
2: _____	yes	_____
3: _____	yes	_____
4: _____	yes	_____
5: _____	yes	_____

batten cars: _____

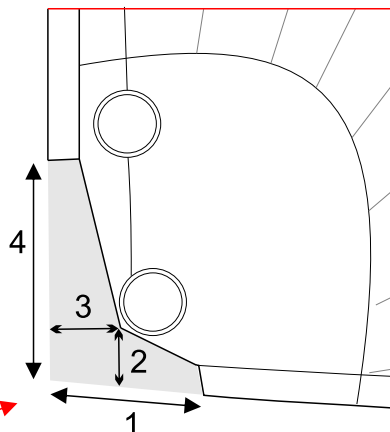
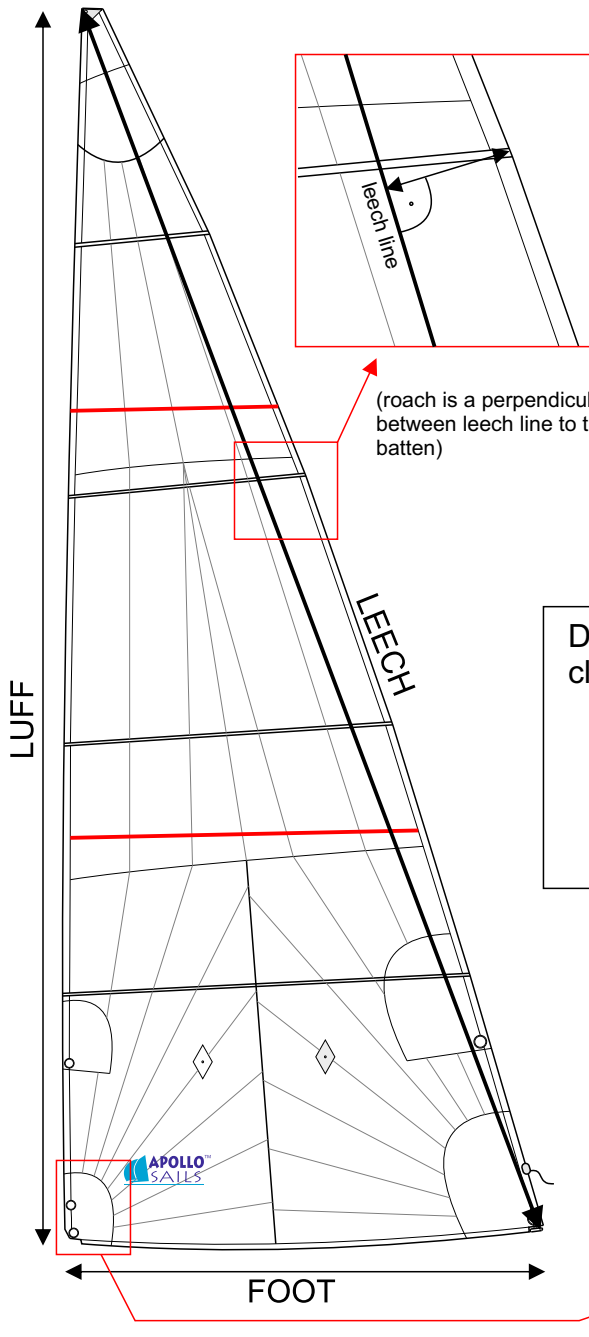
HEAD width: _____
 headboard: aluminium soft

Draft stripes: _____ **color:** _____
class sign: _____ **sail numbers:** _____

Clew pressed ring steel ring other: _____
Tack pressed ring steel ring other: _____

REEFS (height)
 1: _____
 2: _____
 3: _____

Dog bones
Fast reef system (blocks)



NOTES